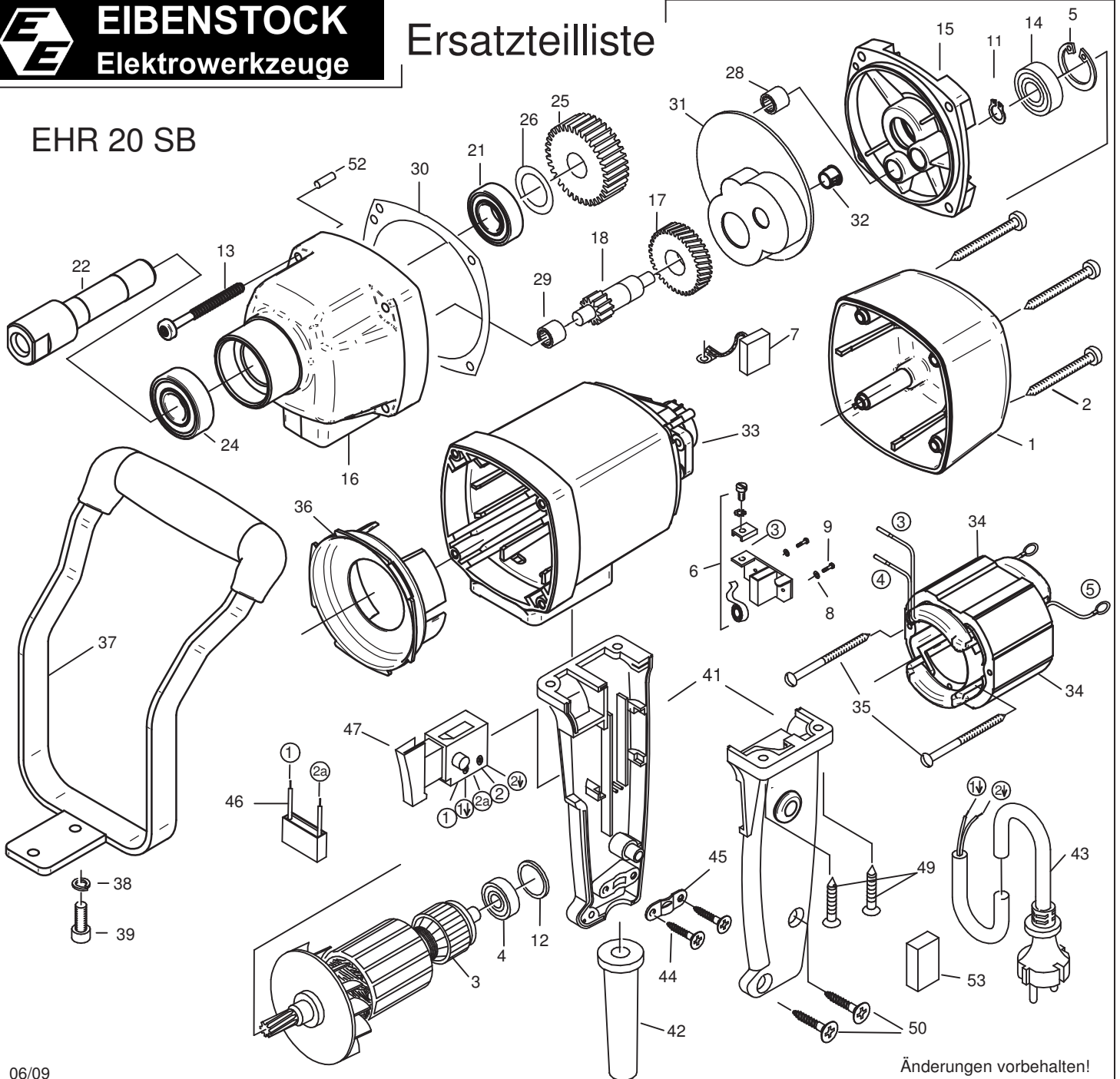




EIBENSTOCK
Elektrowerkzeuge

Ersatzteilliste

EHR 20 SB



06/09

Änderungen vorbehalten!

EHR 20 SB - 230 V

07314 / 07723

| Nr. | Bezeichnung | Bestellnr. | Stk | Nr. | Bezeichnung | Bestellnr. | Stk |
|-----|-----------------------------|------------|-----|-----|------------------------|------------|-----|
| 1 | Kappe | 80900182 | 1 | 28 | Nadelhülse HK 0810 | 80420110 | 1 |
| 2 | Blechschrabe HC 4,8x50 | 80201284 | 4 | 29 | Nadelhülse HK 1010 | 80420115 | 1 |
| 3 | Läufer, kpl. | 7731C100 | 1 | 30 | Getriebedichtung | 82000507 | 1 |
| 4 | Rillenkugellager 608 2Z | 80410011 | 1 | 31 | Fettkammerschott | 80900119 | 1 |
| 5 | Sicherungsring 28/1,2 | 80201333 | 1 | 32 | Lochstopfen | 80900201 | 1 |
| 6 | Taschenbürstenhalter, kpl. | 80201196 | 2 | 33 | Motorgehäuse | 80900092 | 1 |
| 7 | Kohlebürste, kpl. 6,3x10x18 | 80700013 | 2 | 34 | Polring, kpl. | 7731C150 | 1 |
| 8 | Federscheibe B4 gewellt | 80201385 | 4 | 35 | Blechschrabe C 3,9x60 | 80201266 | 2 |
| 9 | Gewindefurhschrabe CM4x12 | 80201180 | 4 | 36 | Luftleitring | 80900286 | 1 |
| 10 | | | | 37 | Bügelgriff, kpl. | 80200099 | 1 |
| 11 | Sicherungsring 10/1 | 80201305 | 1 | 38 | Federring 6 | 80201303 | 2 |
| 12 | O-Ring 22x2,5 | 83000036 | 1 | 39 | Linsenschrabe HM 6x12 | 80201209 | 2 |
| 13 | PT-Schrabe 50x50 | 80201449 | 4 | 40 | | | |
| 14 | Rillenkugellager 6001 2Z | 80410031 | 1 | 41 | Griffpaar | 80900097 | 1 |
| 15 | Getriebelagerschild, grün | 7731K610 | 1 | 42 | Kabelauführungsmuffe | 83000004 | 1 |
| 16 | Getriebegehäuse, schwarz | 77316400 | 1 | 43 | Anschlußleitung | 80600060 | 1 |
| 17 | Zwischenrad | 74010470 | 1 | 44 | Blechschrabe HC 4,2x13 | 80201270 | 2 |
| 18 | Ritzelwelle | 7731C490 | 1 | 45 | Zugentlastungsschelle | 85000020 | 1 |
| 19 | | | | 46 | Entstörkondensator | 80500010 | 1 |
| 20 | | | | 47 | Einbauschalter | 80600135 | 1 |
| 21 | Rillenkugellager 6003 2RS | 80410043 | 1 | 48 | | | |
| 22 | Arbeitsspindel | 7731C420 | 1 | 49 | Blechschrabe HC 4,8x22 | 80201280 | 4 |
| 23 | | | | 50 | Blechschrabe HC 4,2x16 | 80201271 | 2 |
| 24 | Rillenkugellager 6203 2RS | 80410130 | 1 | 51 | | | |
| 25 | Spindelrad | 7731C430 | 1 | 52 | Steckkerbstift 4x12 | 80200582 | 1 |
| 26 | Paßscheibe 17/24x0,2 | 80200507 | 1 | 53 | Füllstück | 80600306 | 1 |
| 27 | | | | | | | |

EHR 20 SB - 230 V

07314 / 07723

| No. | Description | Order No. | Pcs | No. | Description | Order No. | Pcs |
|-----|-------------------------------|-----------|-----|-----|------------------------------|-----------|-----|
| 1 | cap | 80900182 | 1 | 28 | needle sleeve HK 0810 | 80420110 | 1 |
| 2 | self tapping screw HC 4,8x50 | 80201284 | 4 | 29 | needle sleeve HK 1010 | 80420115 | 1 |
| 3 | rotor complete | 7731C100 | 1 | 30 | gearbox seal | 82000507 | 1 |
| 4 | grooved ball bearing 608 2Z | 80410011 | 1 | 31 | grease compartment barrier | 80900119 | 1 |
| 5 | locking ring 28/1,2 | 80201333 | 1 | 32 | plug | 80900201 | 1 |
| 6 | brush holder | 80201196 | 2 | 33 | motor housing | 80900092 | 1 |
| 7 | carbon brush 6,3x10x18 | 80700013 | 2 | 34 | stator complete | 7731C150 | 1 |
| 8 | lock washer B4 | 80201385 | 4 | 35 | self tapping screw HC 3,9x60 | 80201266 | 2 |
| 9 | self tapping screw CM4x12 | 80201180 | 4 | 36 | air guiding ring | 80900286 | 1 |
| 10 | | | | 37 | bow handle | 80200099 | 1 |
| 11 | locking ring 10/1 | 80201305 | 1 | 38 | lock washer A6 | 80201303 | 2 |
| 12 | o-ring 22x2,5 | 83000036 | 1 | 39 | lens head screw HM 6x12 | 80201209 | 2 |
| 13 | pt-screw 50x50 | 80201449 | 4 | 40 | | | |
| 14 | grooved ball bearing 6001 2Z | 80410031 | 1 | 41 | pair of handle halves | 80900097 | 1 |
| 15 | end shield of gearing green | 7731K610 | 1 | 42 | cable grommet | 83000004 | 1 |
| 16 | gearbox housing black | 77316400 | 1 | 43 | connecting cable | 80600060 | 1 |
| 17 | intermediate wheel | 74010470 | 1 | 44 | self tapping screw HC 4,2x13 | 80201270 | 2 |
| 18 | pinion shaft | 7731C490 | 1 | 45 | wire locking flange | 85000020 | 1 |
| 19 | | | | 46 | anti parasite condenser | 80500010 | 1 |
| 20 | | | | 47 | switch | 80600135 | 1 |
| 21 | grooved ball bearing 6003 2RS | 80410043 | 1 | 48 | | | |
| 22 | work spindle | 7731C420 | 1 | 49 | self tapping screw HC 4,8x22 | 80201280 | 4 |
| 23 | | | | 50 | self tapping screw HC 4,2x16 | 80201271 | 2 |
| 24 | grooved ball bearing 6203 2RS | 80410130 | 1 | 51 | | | |
| 25 | spindle wheel | 7731C430 | 1 | 52 | notched pin plug 4x12 | 80200582 | 1 |
| 26 | fitting washer 17/24x0,2 | 80200507 | 1 | 53 | foam filler | 80600306 | 1 |
| 27 | | | | | | | |